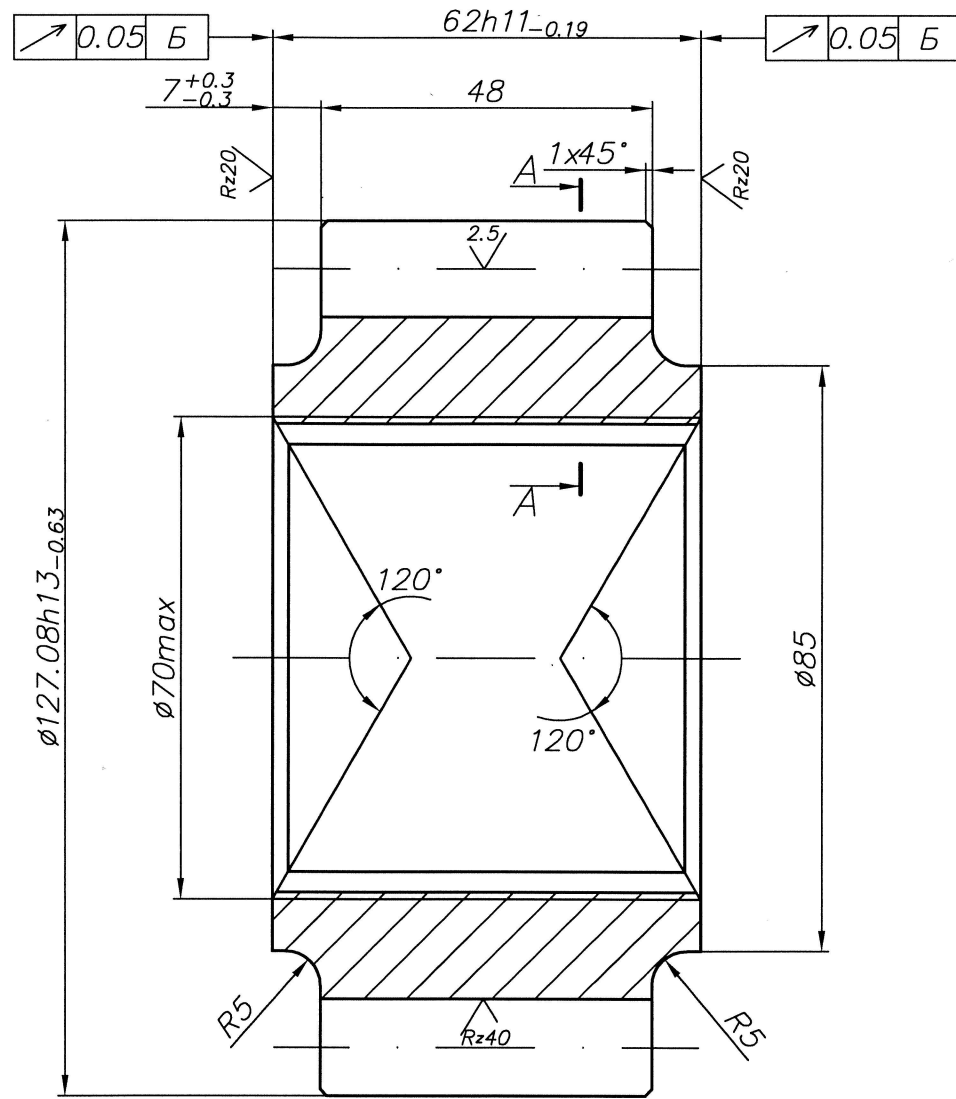
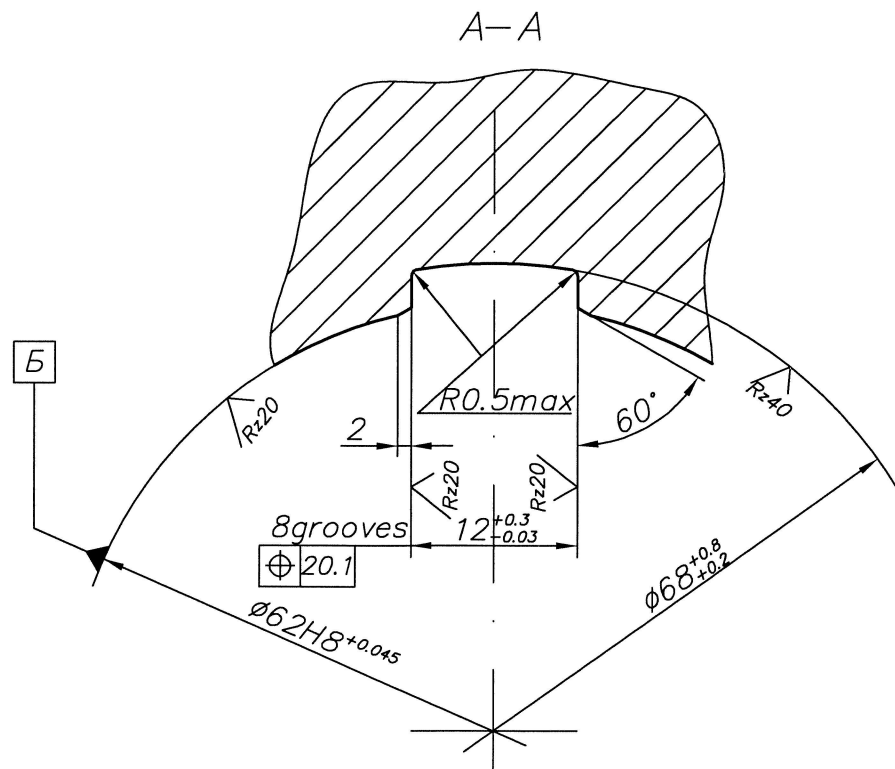


Picture № 27



Module	m	6	
Teeth number	z	18	
Original profile	-	GOST 13755-81	
Shifting coefficient of original profile	x	0,70	
Limit deviations of center-to-center measuring distance	$Ea''S$	+0,056	
	$Ea''i$	-0,3	
Oscillation tolerance for center-to-center measuring distance	in one revolution	F_i''	0,18
	at one tooth	f_i''	0,056
reference gear tooth contact pattern	along the height	%	45 min
	along the length	%	60 min
Common normal mean length	W_{MZ}	$48,67_{-0.34}^{-0.14}$	
Tooth direction tolerance	F_β	0,063	



1. Foging
2. Materials: steel 20 CrMnTi
3. HB 285 - 444
4. Carburize h 0,9... 1,4mm; HRC 57-64
5. Unspecified limit deviation of hole dimensions H14, shafts - h14, others