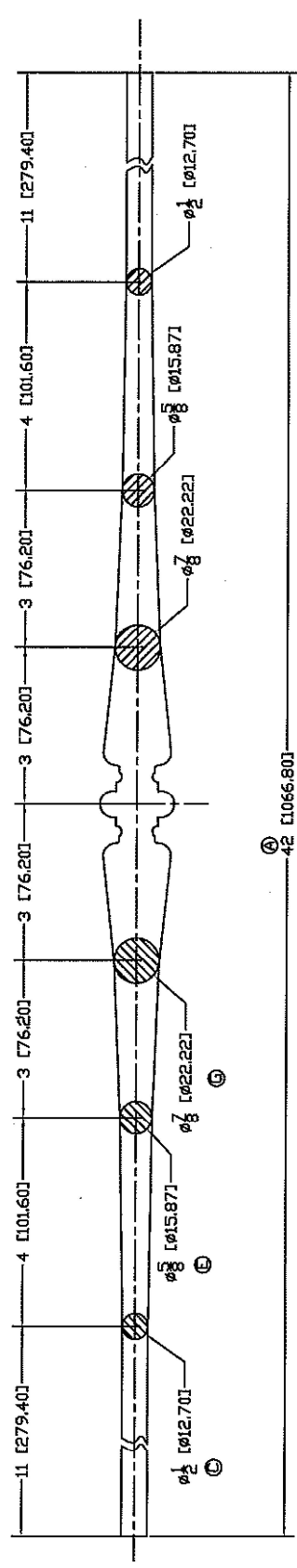
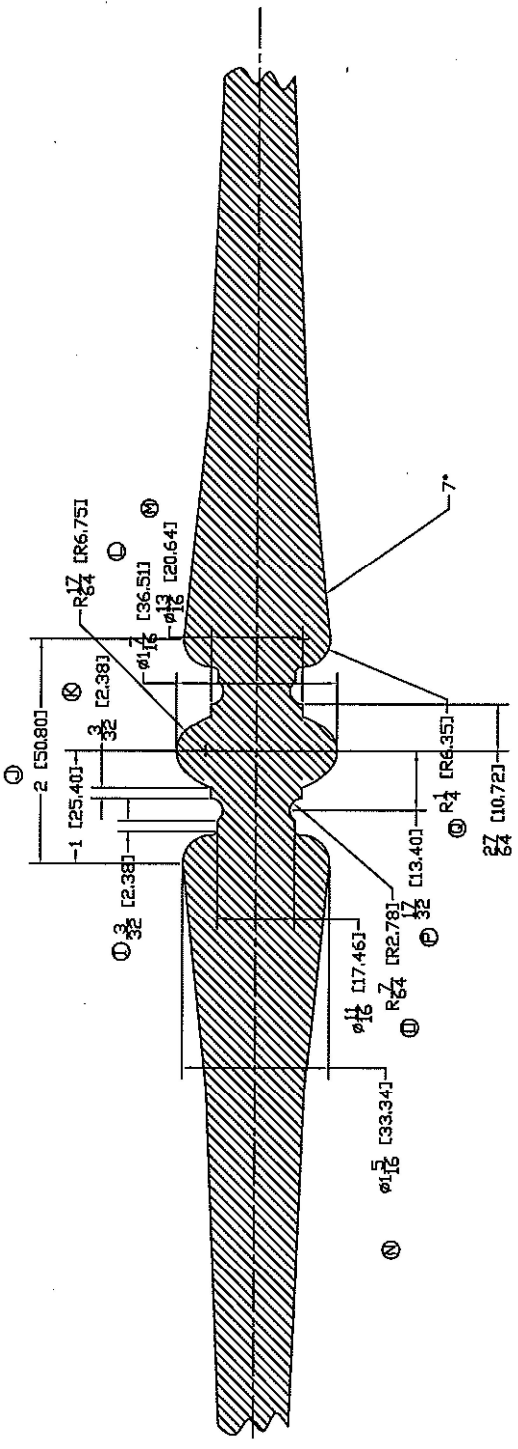


4 3 2 1

REVISIONS		
ZONE	REV	DESCRIPTION



NOTES:

- 1) MATERIAL: HOT ROLLED STEEL
- 2) FINISH: PLAIN, NO OIL

TOLERANCES UNLESS SPECIFIED:	DECIMAL:	
	FRACTION:	$\pm 1/32$ [1.78]
DRAWN BY:	CHECKED BY:	
	APPROVED BY:	
DWG NO. 2705-L	REV	
DATE: 2/29/16	SCALE:	
SHEET	UNITS:	
INCHES [MILLIMETERS]		

TENCCO, INC.
LOS ANGELES, CA 90020
JONESBORO, MO 63951

FORGED SPINDLE

4 3 2 1