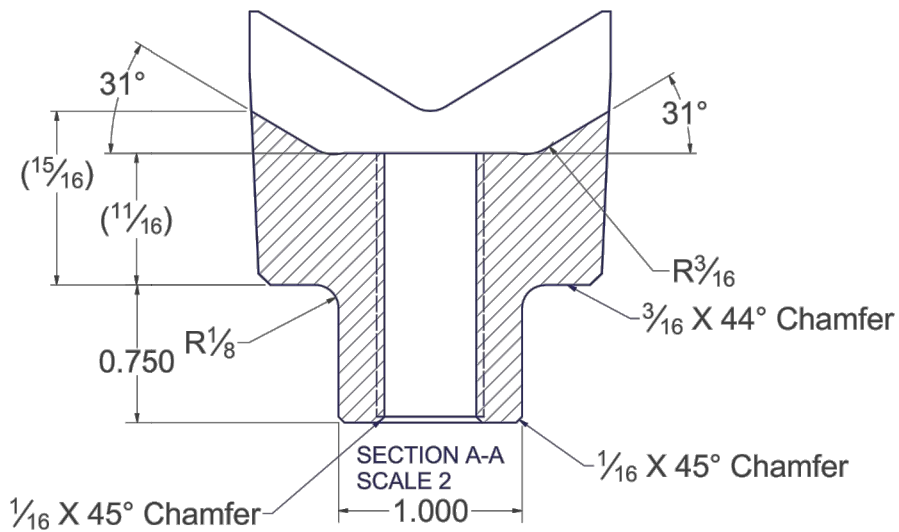


SECTION F-F
SCALE 2



AUSTENITIZED, QUENCHED,
TEMPERED 650°F TO 850°F,
THEN CASE HARDENED TO
55 RHC

MATERIAL DESCRIPTION:	FINISH UNLESS OTHERWISE NOTED: STOCK
5140	LIMITS UNLESS OTHERWISE NOTED:
WEIGHT:	FRACTIONS: + 1/32
0.14 lbmass	DECIMALS: 0.0 ±.030
	0.00 ±.015
	0.000 ±.002
	0.0000 ±.0005